



6.9 cu. ft. Gas Double Oven Slide-in Range

- Air Sous Vide
- Built-In Air Fry with ProBake® Convection
- InstaView® & WideView™ Window
- EasyClean® + EasyClean® Stainless Steel Cooktop
- 22K BTU on Edge-to-Edge Cooktop
- Slide-in Design with Double Oven
- 6.9 cu. ft. Large Capacity
- LG ThinQ® Technology (Wi-Fi)



COLOR AVAILABILITY

- LTGL6937F – PrintProof™ Stainless Steel
- LTGL6937D – PrintProof™ Black Stainless Steel

CAPACITY

Oven Capacity	6.9 cu. ft.
Upper Oven Capacity	2.6 cu. ft.
Lower Oven Capacity	4.3 cu. ft.

OVEN FEATURES

Convection System	ProBake® Convection (Lower Oven Only)
Oven Cooking Modes	Upper: Bake, Broil, Warm, EasyClean®, Self Clean, Remote Start, Delayed Timed Cook, Timed Cook; Lower: Bake, Convection Bake, Convection Roast, Proof, Warm, Frozen Meal, Air Sous-Vide, Air Fry, EasyClean®, Self Clean, Remote Start, Delayed Timed Cook, Timed Cook
Air Sous Vide	Yes (Lower Oven Only)
Built-in Air Fry	Yes (Lower Oven Only)
Temperature Probe	Yes
Oven Racks	1 Heavy Duty, 1 Offset, 1 Gliding
Number of Rack Positions	Upper: 2; Lower: 4
Broil Element (BTU, NG / LP)	Upper: 14,500 / 12,500
Convection (BTU, NG / LP)	Lower: 14,000 / 12,000
Bake Element (BTU, NG / LP)	Upper: 14,500 / 12,500
Convection Conversion	Yes (Lower Oven Only)
EasyClean®	Yes
Self Clean	Yes
GoCook Smart Oven Light	Yes (1)
Door Lock	Yes
Automatic Safety Shut-Off	After 12 hours

COOKTOP FEATURES

Cooktop Type	Sealed
Number of Burners	5
Burner BTU (NG / LP)	
Left Front	18,000 / 12,000
Left Rear	9,100 / 7,500
Center	10,000 / 10,000 (Oval)
Right Front	22,000 / 16,000 (UltraHeat™)
Right Rear	5,000 / 4,000
Cooktop Burner Grate Material	Cast Iron
Continuous Grates	Yes

CONTROLS

Cooktop Control Type	Front Tilt - Backlit LED Knobs (Weighted)
Oven Control Type	SmoothTouch™ Glass
Display	LED (White)
Language	English
Kitchen Timer	Yes
Timed Cook	Yes
Clock	12 hr or 24 hr (option)
Temperature Unit of Measure	°F or °C
Cooking Complete Reminder Volume	High, Low, Off
Oven Control Lock	Yes

CONVENIENCE

ADA Compliant	Yes
Sabbath Mode	Yes (Star-K-Certified)

SMART FEATURES

Wi-Fi Enabled	Yes
ThinQ® Technology	Yes
ThinQ Care	Yes
Voice Control	Amazon Alexa, Google Assistant
SmartDiagnosis™	Yes
3rd Party Recipe App	SideChef
Scan to Cook (LG ThinQ)	Yes
NFC Tag On	No

FINISHES AND APPEARANCE

Fingerprint & Smudge Resistant Exterior	Yes
Cooktop Finish	EasyClean® Stainless Steel
Handle / Knobs	F - Stainless Steel Appearance D - Black Stainless Steel Appearance
Oven Door Feature	InstaView® Window (WideView™)

TECHNICAL SPECS

Fuel Type	NG / LP
Required Power Supply	120V, 60Hz
Minimum Circuit Rating	8.5 Amp
Power Cord Type	3-Prong, Attached to Unit
Power Outlet Location	See Installation Diagram
Gas Supply Location	See Installation Diagram

INCLUDED ACCESSORIES

1 Heavy Duty Rack, 1 Offset Rack, 1 Air Fry Tray, 1 Gliding Rack, Griddle, Wok Grate, Temperature Probe, Rear Filler Kit, LP Conversion Kit

OPTIONAL ACCESSORIES

Slide-in Range Filler Kit (Side Gaps)	LSFL301S
---------------------------------------	----------

DIMENSIONS / CLEARANCES / WEIGHTS

Product Dimensions (W x H x D w/Handle)	29 7/8" x 37 1/8" x 29 17/64"
Product Height to Cooking Surface	36"
Cutout Dimensions (W x H x D)	30" x 36" x 25"
Carton Dimensions (W x H x D)	31 31/32" x 42 3/64" x 29 59/64"
Approx. Weight (Product / Carton)	210 lbs. / 280 lbs.

LIMITED WARRANTY

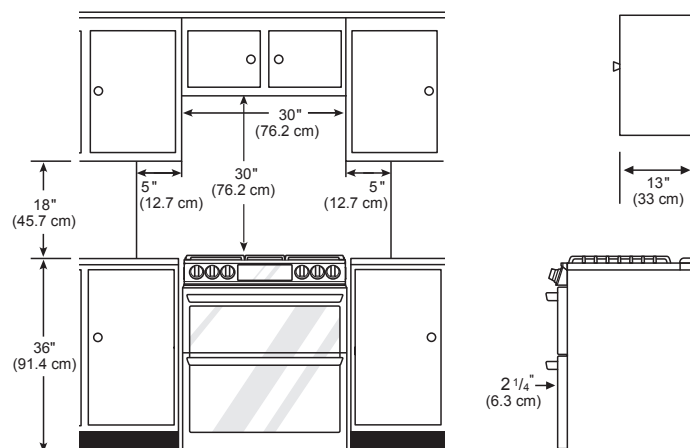
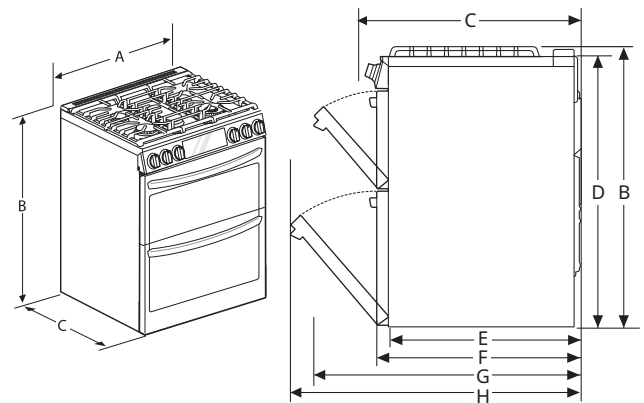
Parts and Labor	1 Year
-----------------	--------

DIMENSIONS / CLEARANCES

Provide proper clearance between the range and adjacent combustible surfaces. These dimensions must be met for safe use of your range. The location of the electrical outlet and pipe opening may be adjusted to meet specific requirements. The range may be placed with 0" clearance (flush) at the back wall.

DIMENSIONS / CLEARANCES

A	Width	29 7/8" (759 mm)
B	Height	37 1/8" (943 mm)
C	Depth (Includes Door Handle)	29 17/64" (743.2 mm)
D	Height (Excludes Vent Trim)	36" (913.0 mm)
E	Depth (Includes only the product body that is loaded into the cabinet. Excludes door, drawer, and handles)	24 3/4" (629.4 mm)
F	Depth (Excludes Door Handle)	26 7/8" (683 mm)
G	Depth when drawer is fully opened	38 5/8" (981.2 mm)
H	Depth when door is fully opened	47 7/32" (1072.2 mm)



GAS PIPE AND ELECTRICAL OUTLET LOCATIONS

